

FORM F 108
Revision: 05
Page: 1/1

Product specification
for inductive components

MAGNETEC GmbH
Industriestrasse 7
D-63505 Langenselbold

Client:	MAGNETEC	Magnetec P/N:	M-950	Magnetec A/N:	12776
Client's P/N:	/	PS Index:	01	PS Revision:	01
Subject:	EMC Wandler				

1. Mechanical Outline

Nominal equivalent round core:

41 x 24,8 x 15

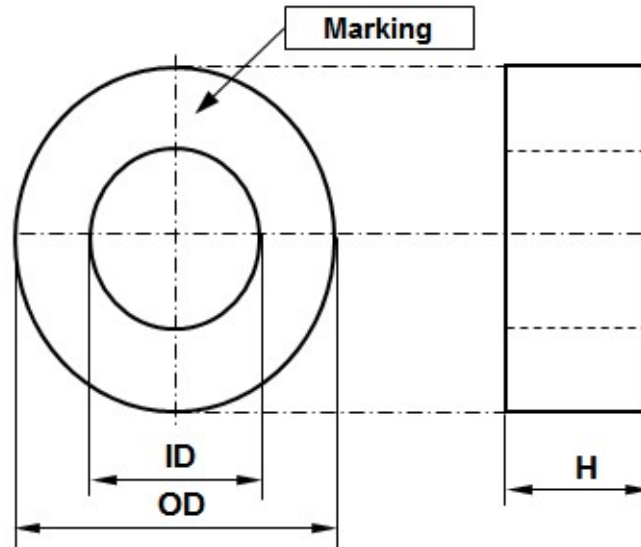
Finished product dimensions:

OD \leq 44,3

ID \geq 21,5

H \leq 18,9

[dimensions] = mm



2. Core data (nominal values)

Core material:	NANOPERM®	$L_{Fe} = 10,1 \text{ cm}$	$A_{Fe} = 0,89 \text{ cm}^2$
Permeability level:	90 000	@ frequency 10 kHz	@ H peak 3 mA/cm

3. Inspection values (at room temperature, unless otherwise stated)

Measured value	Measurement limits	Frequency	$I_{eff} \times N$ [mA x turn]
AL [μ H]	69,4 - 138,7	10 kHz	21
AL [μ H]	17,0 - NA	100 kHz	21

4. Core finishing

Type:	Glued into case
Marking:	MAGNETEC M-950-01 YM (YM = Year/Month), acc. to IEC 60062 6.1.1
Packaging:	24 pcs. per layer; 4 layers per carton box; PU = 96 pcs.

5. Comments

Visit http://www.magnetec.de/fileadmin/pdf/pb_ds.pdf for further information.

Index / Revision	Alteration	Date
01 / 01	First issue	29.03.2016

Created:	Z. Palánki 29.03.2016	Approved (Techn):	F. Záborszky 25.04.2016	Approved (Quality):	L. Ferencz 25.04.2016	Released:	T. Trupp 31.05.2018
----------	--------------------------	-------------------	----------------------------	---------------------	--------------------------	-----------	------------------------

Disclosing the specification to third parties or using its content without written permission from MAGNETEC is strictly forbidden and every offender is liable to pay the corresponding damages