

FORM F 108
Revision: 05
Page: 1/1

Product specification
for inductive components

MAGNETEC GmbH
Industriestrasse 7
D-63505 Langenselbold

Client:	MAGNETEC	Magnetec P/N:	M-988	Magnetec A/N:	12729
Client's P/N:	/	PS Index:	01	PS Revision:	01
Subject:	EMC Wandler				

1. Mechanical Outline

Nominal equivalent round core:

63,5 x 51 x 25

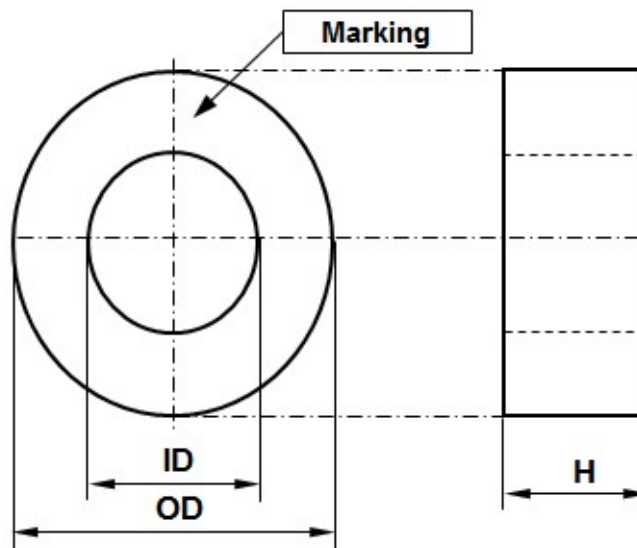
Finished product dimensions:

OD ≤ 65,5

ID ≥ 48,0

H ≤ 27,3

[dimensions] = mm



2. Core data (nominal values)

Core material:	NANOPERM®	$L_{Fe} = 17,6 \text{ cm}$	$A_{Fe} = 1,12 \text{ cm}^2$
Permeability level:	90 000	@ frequency 10 kHz	@ H peak 3 mA/cm

3. Inspection values (at room temperature, unless otherwise stated)

Measured value	Measurement limits	Frequency	$I_{eff} \times N$ [mA x turn]
AL [μH]	50 - 100	10 kHz	37
AL [μH]	16,4 - NA	100 kHz	37
PFe [W/core]	0 - 1,35	15 kHz	$B_{max} = 500 \text{ mT}$

4. Core finishing

Type:	Epoxy coated
Marking:	MAGNETEC M-988-01 YM (YM = Year/Month), acc. to IEC 60062 6.1.1
Packaging:	10 pcs. per layer; 3 layers per carton box; PU = 30 pcs.

5. Comments

Visit http://www.magnetec.de/fileadmin/pdf/pb_ds.pdf for further information.

Index / Revision	Alteration	Date
01 / 01	First issue	06.05.2015

Created:	Z. Palánki 06.05.2015	Approved (Techn):	F. Záborszky 09.06.2015	Approved (Quality):	J. Gulyás 09.06.2015	Released:	T. Trupp 09.06.2015
----------	--------------------------	-------------------	----------------------------	---------------------	-------------------------	-----------	------------------------

Disclosing the specification to third parties or using its content without written permission from MAGNETEC is strictly forbidden and every offender is liable to pay the corresponding damages